

Specifications

DESCRIPTION

- Brass construction with chrome plated finish
- 1/2" IPS connections
- 8" widespread
- Vandal resistant torx head screws
- Vandal resistant aerator

OPERATION

- Lever style handles with hot and cold color indicators


FLOW

- Standard aerator is limited to 2.2 gpm max. (8.3 L/min)

CARTRIDGE

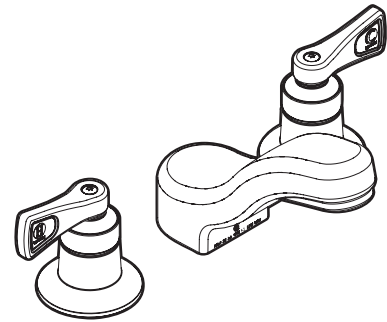
- Brass shell, ceramic disc cartridge
- 1/4 turn operation

STANDARDS

- Third party certified to ASME A112.18.1/CSA B125.1 and all applicable requirements referenced therein
- Certified to NSF 61/9 & 372
- Complies with California Proposition 65 and with the Federal Safe Drinking Water Act
- ADA  for lever handles

WARRANTY

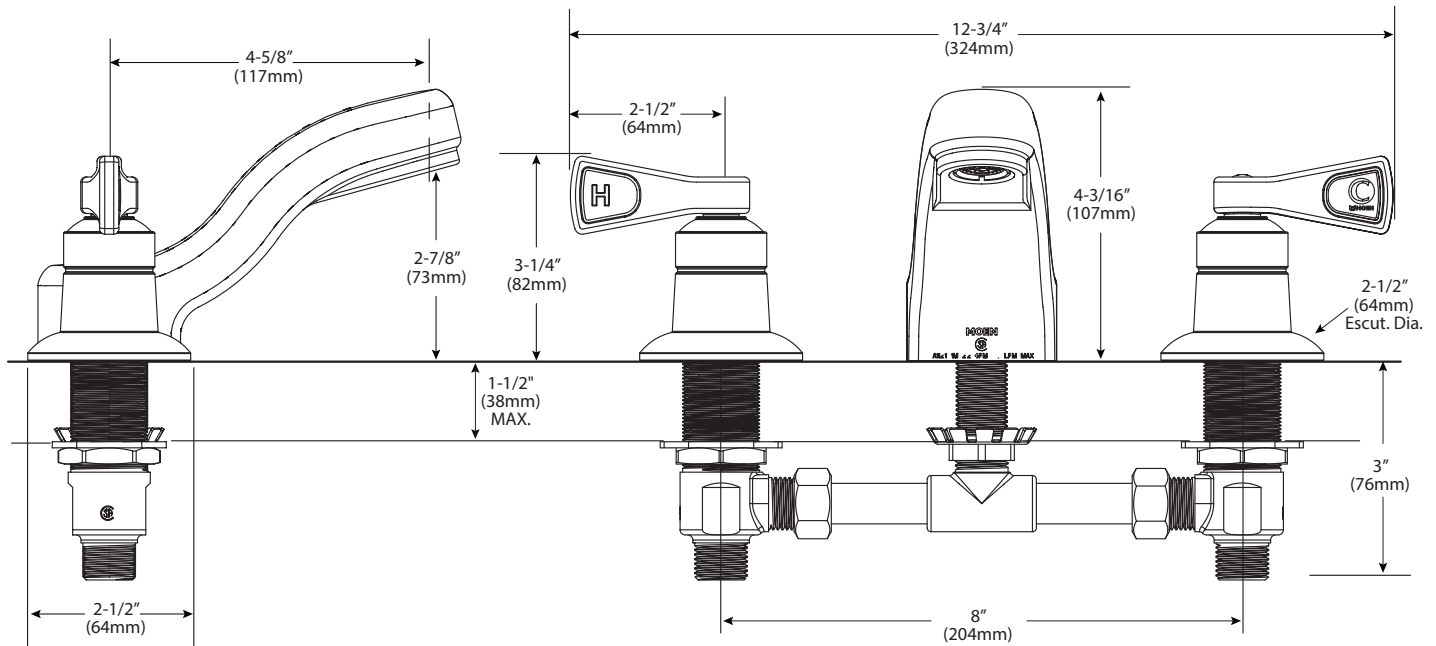
- Warranted for 5 years against material or manufacturing defects



Two Lavatory Faucet		
Model	Flow (gpm)	Drain
8220	2.2	Without
8220F05	0.5	Without
8223	2.2	Metal
8224	2.2	Grid



Note: Designed to be installed through 3 holes - 1-9/32" min. dia.



CRITICAL DIMENSIONS

(DO NOT SCALE)